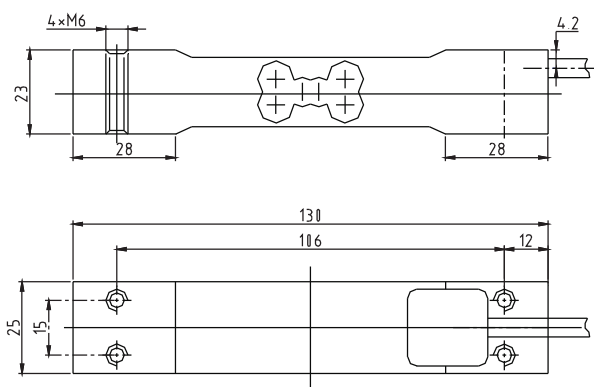




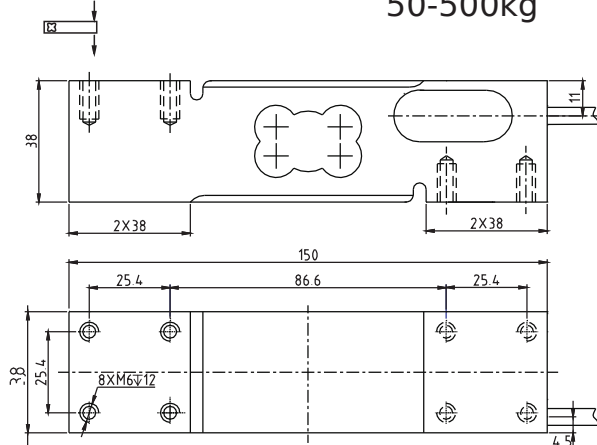
### K\_AMI-5V Load cell



5-40kg



50-500kg



All kinds of platform scales,

### TECHNICAL PARAMETER

Rated capacities(Emax)	5 , 6, 8, 10 , 15, 20, 30 , 35, 40kg	Temperature range, compensated	-10°C~+40°C
Sensitivity	2.0±0.2mV/V	Temperature range, operating	-20°C~+50°C
Accuracy class	OIML C3(approving)	Maximum safe overload	150%Emax
Creep error (30min)	±166ppm	Ultimate overload	300%Emax
Zero balance	±3%Emax	Excitation, recommended	10V DC
TC ZERO	±17.5ppm/°C	Excitation, maximum	15V DC
TC SPAN	+20°C~+40°C, ±17.5ppm/°C	Protection class	IP65
	-10°C~+20°C, ±11.67ppm/°C	Construction	Aluminium
Input resistance	404±15Ω	Cable	Length: 0.5 m
Output resistance	350±3Ω		Diameter: φ 5mm
Insulation resistance	≥2000 MΩ (50V DC)	Installation torque, recommended	10N · m
Max platform size	300×300mm		
Rated capacities(Emax)	50, 60, 100, 150, 200, 250, 300, 500kg	Temperature range, compensated	-10°C~+40°C
Sensitivity	2.0±0.2mV/V	Temperature range, operating	-20°C~+50°C
Accuracy class	OIML C3(approving)	Maximum safe overload	150%Emax
Creep error (30min)	±166ppm	Ultimate overload	300%Emax
Zero balance	±3%Emax	Excitation, recommended	10V DC
TC ZERO	±17.5ppm/°C	Excitation, maximum	15V DC
TC SPAN	+20°C~+40°C, ±17.5ppm/°C	Protection class	IP65
	-10°C~+20°C, ±11.67ppm/°C	Construction	Aluminium
Input resistance	404±15Ω	Cable	Length: 1.8m
Output resistance	350±3Ω		Diameter: φ 5mm
Insulation resistance	≥2000 MΩ (50V DC)	Installation torque, recommended	10N · m
Max platform size	400×400mm		

Microsyst Ltd.  
4 Murgash Str.  
4002 Plovdiv  
Bulgaria

tel./fax. +359 32 640446  
e-mail: info@microsyst.net  
www.microsyst.net