

AC/DC CURRENT CONVERTER

MS9007/MS9017



TECHNICAL DESCRIPTION AND USER MANUAL

PLOVDIV 2011

Document revision 2011-09-28

DESCRIPTION

MS9007 and MS9017 of MICROSYST are galvanically isolated converters of effective value of alternating current with industrial frequency (or higher – by order) in direct current $4 \div 20\text{mA}$ by 2-wire connection diagram.

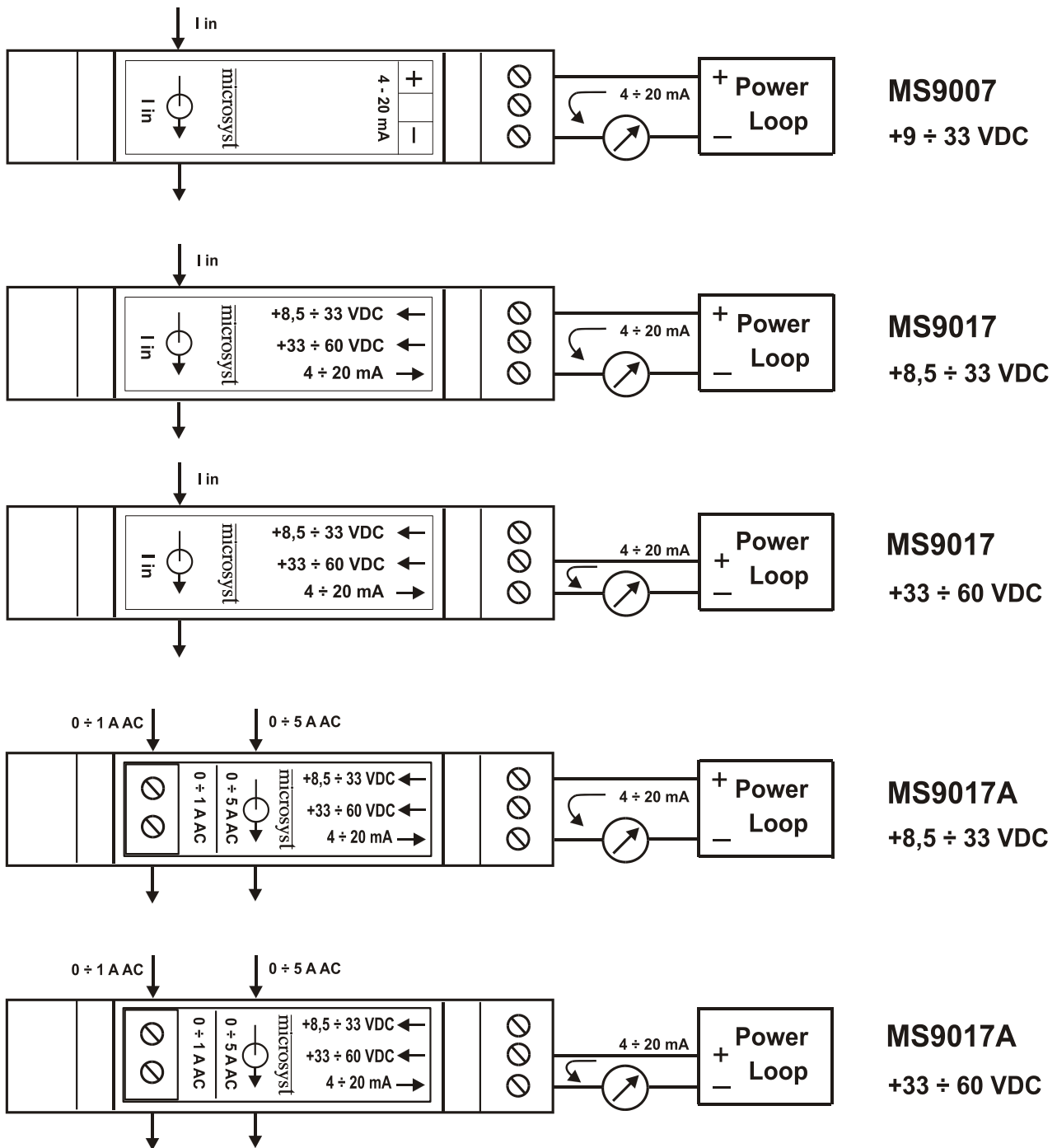
MS9007 and MS9017 are used in collecting of information for charging of the aggregates in the distributed measuring and controlling systems.

TECHNICAL DATA

Input current nominal range	MS9007:	<input type="checkbox"/> $0 \div 5\text{A AC}$
		<input type="checkbox"/> $0 \div 10\text{A AC}$
		<input type="checkbox"/> $0 \div 15\text{A AC}$
		<input type="checkbox"/> $0 \div 20\text{A AC}$
	MS9017:	<input type="checkbox"/> $0 \div 5\text{A AC}$
		<input type="checkbox"/> $0 \div 10\text{A AC}$
		<input type="checkbox"/> $0 \div 15\text{A AC}$
		<input type="checkbox"/> $0 \div 20\text{A AC}$
	MS9017A:	<input type="checkbox"/> $0 \div 1\text{A AC}$
		<input type="checkbox"/> $0 \div 5\text{A AC}$
	Minimal output current, I_{min}	<input type="checkbox"/> $80 \mu\text{A}$ – standard <input type="checkbox"/> $40 \mu\text{A}$ – by order <input type="checkbox"/>
	Input signal frequency	<input type="checkbox"/> $50 \div 60 \text{ Hz} \pm 5\%$ <input type="checkbox"/>
Output signal	$4 \div 20\text{mA DC}$ 2-wire line	
Total measurement error	$0,15\%$ in $(I_{\text{min}} \div 100)\%$ from range	
	MS9007: $9 \div 33 \text{ V DC}$	
Power supply	MS9017/MS9017A: $8,5 \div 33 \text{ V DC}$ $33 \div 60 \text{ V DC}$	
Galvanically isolated input / output	$>3000 \text{ V}$	
Electrical connection	Terminals in the body	
Protection class	IP 40	
Operating temperature of the converter	$-40 \div 85 \text{ }^\circ\text{C}$	
Mounting	DIN Rail EN50022	
Dimensions [mm]	$18 \times 90 \times 53 \text{ mm}$	
Weight [g]	max 50 g	

MS9007 converter is with fixed input current and with one power supply, MS9017 is with fixed input current and with two possible ranges of power supply in the output (8,5 ÷ 33 V DC and 33 ÷ 60 V DC) and MS9017A is with two input ranges 0 ÷ 1A AC and 0 ÷ 5A AC in one device, without additional adjustment and two possible ranges of power supply in the output (8,5 ÷ 33 V DC and 33 ÷ 60 V DC).

ELECTRICAL CONNECTION OF CONVERTERS



WARRANTY CARD

Warranty card №:.....

Warranty term:..... months

Factory number:.....

The items were purchased from:.....

Invoice number:...../..... 20..... year .

GUARANTEE CONDITIONS

The guaranty consists in free repairs of all the factory defects which can occur during the guarantee period. The repair is performed as in the repair base is being presented the current guarantee card with which the device is bought. The warranty does not refer to issue caused by a bad transport, bad conservation, wrong exploitation, nature disasters, not following the instructions and the cases when there is an attempt to fix any defects by other people. In those cases the issue is being fixed only against payment.

The maintenance during the guarantee period and doing the claims happens according to the valid legislation.

PERFORMED REPAIRS IN THE SERVICE

Service	Date of receipt	Order number	Type of repairs done	Date of transmission	Carried out the repair

Seller:.....

Buyer:.....

Bulgaria, 4002 Plovdiv, 4 Murgash str.
Tel.: (+359 32) 642 519, 640 446 fax: (+359 32) 640 446
www.microsyst.net e-mail: info@microsyst.net
